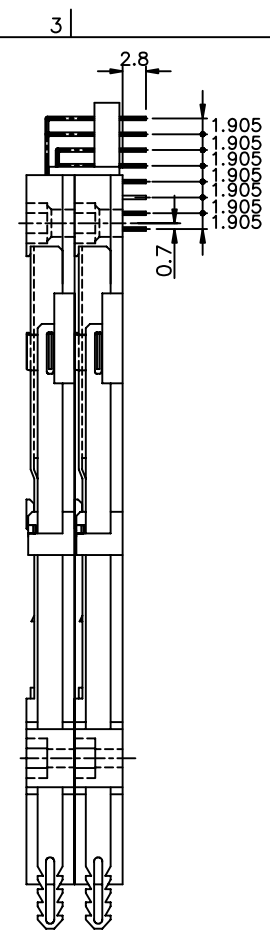
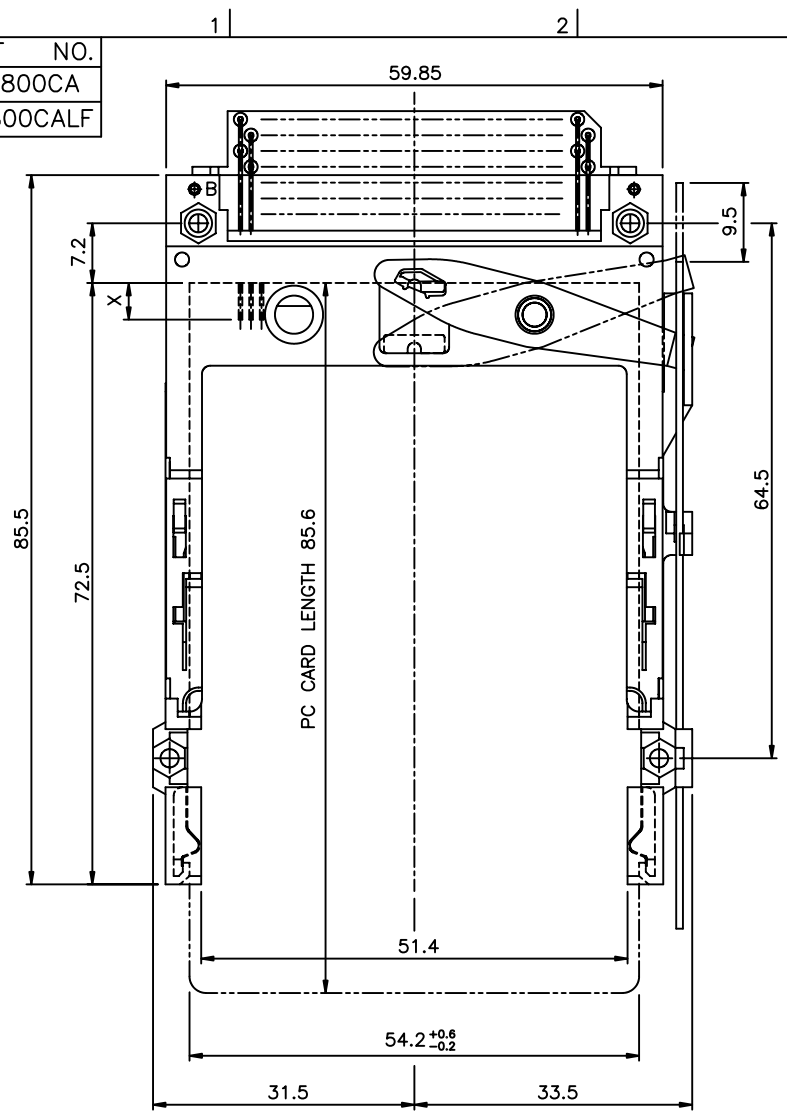


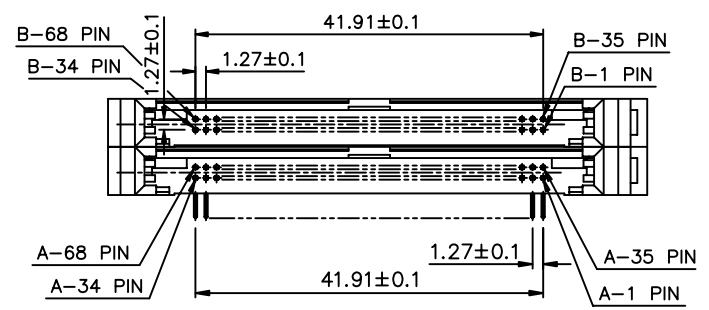
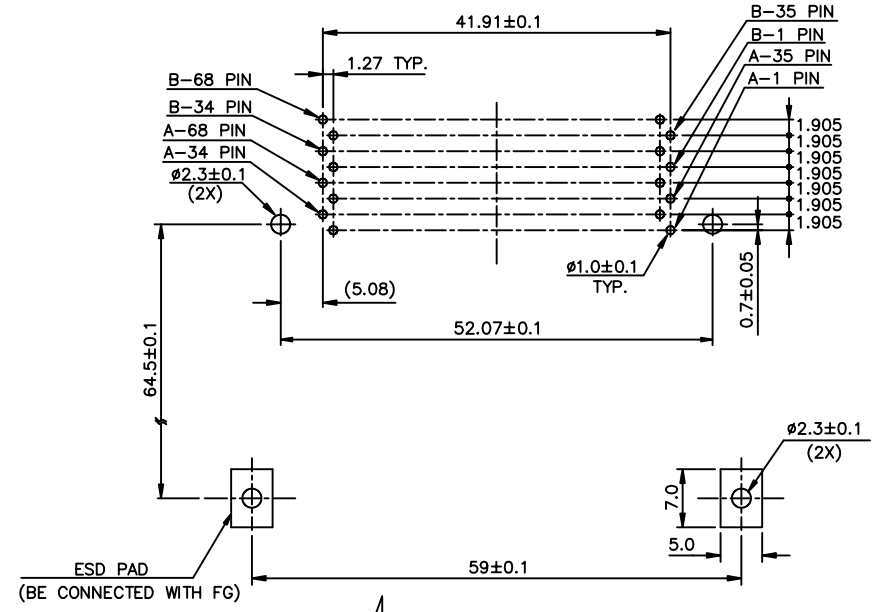
Tous droits strictement réservés. Reproduction ou communication à des tiers int
 propriéte de BERG ELECTRONICS
 Droits de reproduction BERG ELECTRONICS by

All rights strictly reserved. Reproduction or issue to third parties in any for
 without written authority from the proprietor.
 Copyright BERG ELECTRONICS by

PRODUCT NO.	
57455-800CA	
57455-800CALF	



- NOTES:
- EJECT FORCE : 3.5 Kg MAX.
 - EJECT TRAVEL: 8.0mm
 - MATERIAL
 - 3.1 HEADER ASS'Y :
 PLASTIC : HOUSING ...LCP UL94V-0 NATURAL
 : LOCATOR ...G.F. 6/6 NYLON UL94-VO BLACK
 PIN : COPPER ALLOY
 - 3.2 EJECT MECHANISM ASS'Y :
 PLASTIC : GUIDE: POLYPHTHARAMID UL94V-0 BLACK
 : PUSH ROD: POLYPHTHARAMID UL94V-0 BLACK
 PLATE : STAINLESS
 EMI CONTACT: PHOSPHOR BRONZE
 4. FINISH (PIN)
 UNDER PLATING : 1.25 um MIN. Ni
 CONTACT AREA : 0.38 um MIN. GOLD
 SOLDER TAIL : 2.5 um MIN. Sn-Pb
 : 2.5 um MIN. PURE Sn (FOR -****LF)
 5. DIM "X"
- | | | |
|----------|---------|------------------|
| 4.25±0.1 | 3.5±0.1 | 5.0±0.1 |
| OTHERS | 36,67 | 1,17,34,35,51,68 |
- IF LEAD FREE P.N.THE HOUSING WILL WITHSTAND EXPOSURE TO 260°C PEAK TEMPERATURE FOR 10 SECONDS IN A WAVE SOLDER APPLICATION WITH A 1.00MM MINIMUM THICK CIRCUIT BOARD.
 - IF LEAD FREE P/N.THE PRODUCT MEETS EUROPEAN UNION DIRECTIVES AND OTHER COUNTRY REGULATIONS AS DESCRIBED IN GS-22-008
 - LEAD FREE P/N PACKAGING MEETS GS-14-920 SPECIFICATION



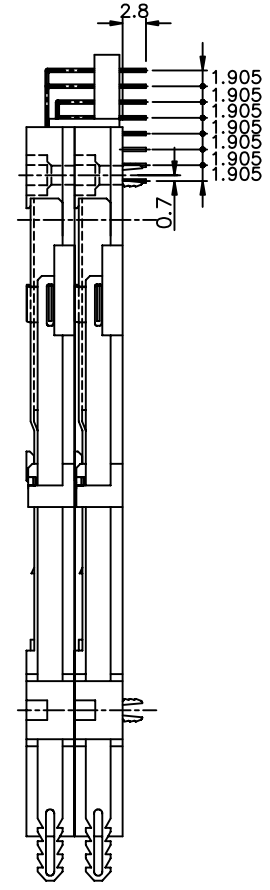
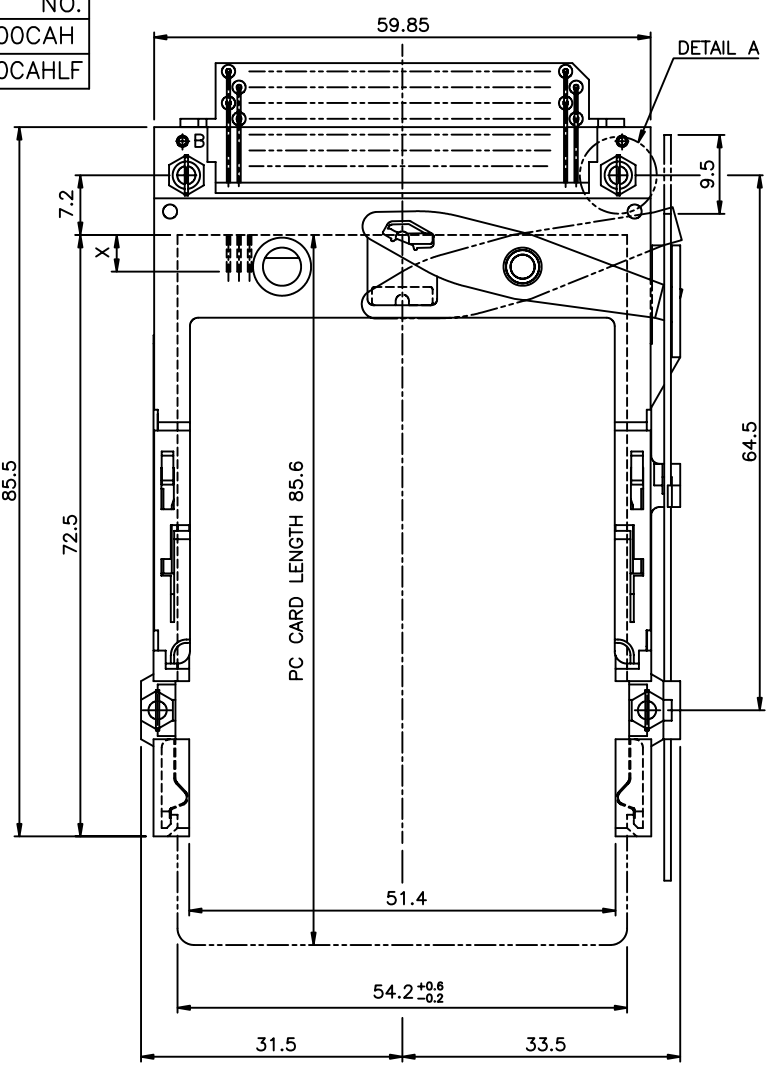
4 CARD INSERTION DIRECTION

mat'l code		tolerance unless otherwise specified		CUSTOMER COPY		 www.fciconnect.com		
rev.	ecn no.	dr	date	linear	± 0.3	projection	title R/A EJECTOR HDR ASS'Y TYPE 1/2/3	
A	T10220	WL	08/15/01					
B	T20214	WL	07/01/02				product family PCMCIA code	
C	N05-0155	WB	06/10/05	angles	± 2°			
		dr	WENDY CHEN	05/30/01	unit	mm/inch	size	dwg no.
		enr	MINERWA WANG	05/30/01	scale	A3	57455	sheet 1 of 2
		chr	MINERWA WANG	05/30/01				
		appd	JENN TSAO	05/30/01				
sheet	revision	C	C					
index	sheet	1	2					

Tous droits strictement réservés. Reproduction ou communication à des tiers sans autorisation écrite du propriétaire. Droits de reproduction BERG ELECTRONICS by

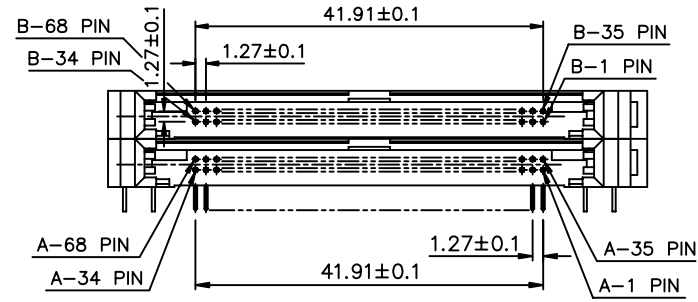
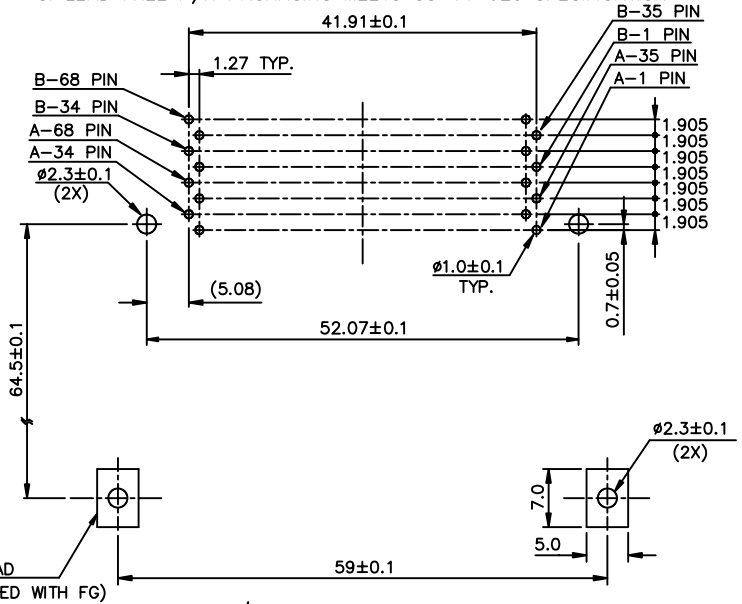
All rights strictly reserved. Reproduction or issue to third parties in any form without written authority from the proprietor. Copyright BERG ELECTRONICS by

PRODUCT NO.
57455-800CAH
57455-800CAHLF

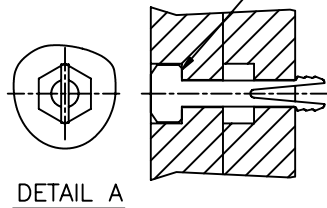


- NOTES:
- EJECT FORCE : 3.5 Kg MAX.
 - EJECT TRAVEL: 8.0mm
 - MATERIAL
 - 3.1 HEADER ASS'Y :
 PLASTIC : HOUSING ...LCP UL94V-0 NATURAL
 : LOCATOR ...G.F. 6/6 NYLON UL94-VO BLACK
 PIN : COPPER ALLOY
 - 3.2 EJECT MECHANISM ASS'Y :
 PLASTIC : GUIDE: POLYPHTHARAMID UL94V-0 BLACK
 : PUSH ROD: POLYPHTHARAMID UL94V-0 BLACK
 PLATE : STAINLESS
 EMI CONTACT: PHOSPHOR BRONZE
 4. FINISH (PIN)
 UNDER PLATING : 1.25 um MIN. Ni
 CONTACT AREA : 0.38 um MIN. GOLD
 SOLDER TAIL : 2.5 um MIN. Sn-Pb
 : 2.5 um MIN. PURE Sn (FOR -*****LF)
 5. DIM "X"

4.25±0.1	3.5±0.1	5.0±0.1
OTHERS	36,67	1,17,34,35,51,68
 6. IF LEAD FREE P/N THE HOUSING WILL WITHSTAND EXPOSURE TO 260°C PEAK TEMPERATURE FOR 10 SECONDS IN A WAVE SOLDER APPLICATION WITH A 1.00MM MINIMUM THICK CIRCUIT BOARD.
 7. IF LEAD FREE P/N THE PRODUCT MEETS EUROPEAN UNION DIRECTIVES AND OTHER COUNTRY REGULATIONS AS DESCRIBED IN GS-22-008
 8. LEAD FREE P/N PACKAGING MEETS GS-14-920 SPECIFICATION



NO PLAY BETWEEN HOLD DOWN AND HEADER



4 CARD INSERTION DIRECTION

mat'l code		tolerance unless otherwise specified		CUSTOMER COPY		 www.fciconnect.com	
rev.	ecn no.	dr	date	linear	± 0.3	projection	title
C				angles	± 2°		R/A EJECTOR HDR ASS'Y TYPE 1/2/3
		dr	WENDY CHEN 06/15/01	unit	mm/inch	product family	PCMCIA
		enr	MINERWA WANG 06/15/01	size	A3	code	
		chr	MINERWA WANG 06/15/01	scale		sheet	2 of
		appd	JENN TSAO 06/15/01			dwg no.	57455
sheet	revision						
index	sheet						